

JP Series 4 Specifications

Model		JP-104 Series	JP-204 Series	JP-504 Series	JP-1004 Series
Pressing Capacity	Maximum	1,000N (100Kg)	2,000N (200Kg)	5,000N (500Kg)	10,000N (1,000Kg)
	Allowable Range	100~1,000N	200~2,000N	500~5,000N	1,000~10,000N
	Increments	1N	1N	1N	1N
	Minimum Sensing Capacity*1	0.2 % of maximum pressure capacity			
Ram Stroke	Maximum	80mm	80mm	100mm	100mm
	Allowable Range	0~80mm	0~80mm	0~100mm	0~100mm
	Increments	0,001mm	0,001mm	0,001mm	0,001mm
Ram Speed	Approaching	166mm/s	166mm/s	166mm/s	166mm/s
	Pressing	0,01~35mm/s	0,01~35mm/s	0,01~35mm/s	0,01~35mm/s
	Increments	0,01mm/s	0,01mm/s	0,01mm/s	0,01mm/s
Holding Time	Maximum*2	999sec	999sec	999sec	999sec
	Allowable Range	0~999sec	0~999sec	0~999sec	0~999sec
	Increments	0,1sec	0,1sec	0,1sec	0,1sec
Repeatability		±0,005mm	±0,005mm	±0,005mm	±0,005mm
Load Sensing Range		100~1,000N	200~2,000N	500~5,000N	1,000~10,000N
Sensor Functions	Const. Speed/Set Stop Position	(1) Load, position, distance control at end pressing			
	Const. Speed/Set Stop Load	(2) Load control in sensing position or distance range			
	Const. Speed/Set Dist. Mode	(3) Load control (peak, top, bottom, valley, peak to peak, differential) in sensor position or distance range			
	Multiple-Section Pressing	The multiple-section pressing mode in combination with the above three modes			
Screen Display	Const. Load/Set Timed Stop	These items will be equipped with from Ver 5.5.			
	Const. Load/Set Position Stop				
	Const. Load/Set Distance Stop				
	Unit of Measure/Pressure	N ↔ Kgf ↔ Lbf mm ↔ in			
Display Language	English, Japanese, Spanish, Italian, French, German				
Main Program Providing System	Installed before shipment. To upgrade the program, download a new one from PC to the internal flash ROM using the COM1.				
External Interface*3, *4	RS-232C 1ch (9-pin male connector, PC can be connected to control the press using optional software.)				
External I/O Terminal Number	Inputs 17, Outputs 16 (Optional inputs 24, outputs 24 in total)				
Driving and Control Method	AC servomotor driven by 32-bit CPU				
Power Supply	Three-Phase	180~250 V			
	Single-Phase	180~250 V			
Power Capacity		300VA	300VA	850VA	850VA
Maximum Jig Weight Hanging on the Ram Tip		10N	20N	50N	100N
Ambient Temperature	0~40°C				
Relative Humidity	20~90% Non-condensing				
Flotage Dust	Nil				
Corrosive Gas	Nil				
Dimensions and Weight	Stand-Alone Type	W520xD567xH750mm	W520xD567xH750mm	W520xD580xH875mm	W520xD580xH875mm
	JP Series 4	100Kg	100Kg	160Kg	160Kg
	Head Type	W282xD472xH470mm	W282xD472xH470mm	W280xD505xH495mm	W280xD505xH495mm
	JPH Series 4	80Kg	80Kg	100Kg	100Kg
	Unit Type*5	W118xD415xH213mm	W118xD415xH213mm	W146xD250xH495mm	W146xD250xH495mm
	JPU Series 4	18Kg	18Kg	35Kg	35Kg
	Control Box	W398xD280xH198mm	W398xD280xH198mm	W398xD280xH198mm	W398xD280xH198mm
	JPB Series 4	13Kg	13Kg	13Kg	13Kg

*1 Load display accuracy is ±1 % and guaranteed within the above ranges, over 10 % of the maximum pressure capacity (Check the load value and calibration amount periodically.)

*2 The holding time becomes shorter as the maximum pressure increases due to motor capacity.

*3 The encoder output interface is available optionally. It is useful when position information is required to send to an external device in real time.

*4 The load cell output interface is available optionally. It is useful when load information is required to send to an external device in real time.

*5 You can choose an installation method of the unit type from side surface fixing (standard) or flange vertical fixing (optional).

*6 The I/O connector does not include cables.

Stand-Alone Type: Body (with the area sensor short connector and I/O connector *6), Operation manuals (supplied in CD-ROM)

Head Type: Body (with the area sensor short connector and I/O connector *6), Switch Box (with a 2m-cable), I/O Cable (3m), Operation manuals (supplied in CD-ROM)

Unit Type: Body, Control Box (with the short connectors for the area sensor and switch box and I/O connector*6), Teaching Pendant (with a 2m-cable)

2 Connection Cables between the body and control box (3m), Operation Manuals (supplied in CD-ROM), Teaching Penadant Short Connector

Optional Devices: Switch Box for the unit type (with a 2m-cable)

PC Software for result data collecting system and teaching data control system complied with Windows2000/XP (Windows is a registered trademark of Microsoft Corporation.)

●All patents granted in Japan and the U.S.A. ●Specifications may be changed due to product upgrades without prior notice.

★ All the products are displayed in our showrooms. Please contact us if you are interested in our products.

2005.06 (S) 5,000

JANOME

Janome Sewing Machine Co., Ltd.

Industrial Automation Systems Division

1463 Hazama-cho, Hachioji-shi, Tokyo 193-0941 JAPAN

Tel : +81 426 61 6301, Fax: +81 426 61 6302

U R L : <http://www.janome.co.jp/industrial.html>

E-mail : j-industry@gm.janome.co.jp

Business Line: Electro Press, Desktop Robot, SCARA Robot, Vacuum Casting, etc

Distributor:



Electro Press JP Series 4

JP Series 4 Electro Press

High Precision CNC Machine
for the assembling

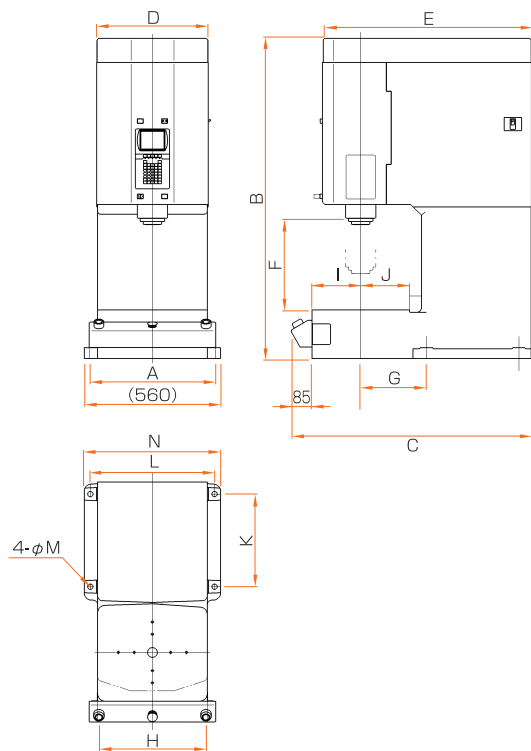
1KN·2KN·5KN·10KN

JP Series 4 Electro Press

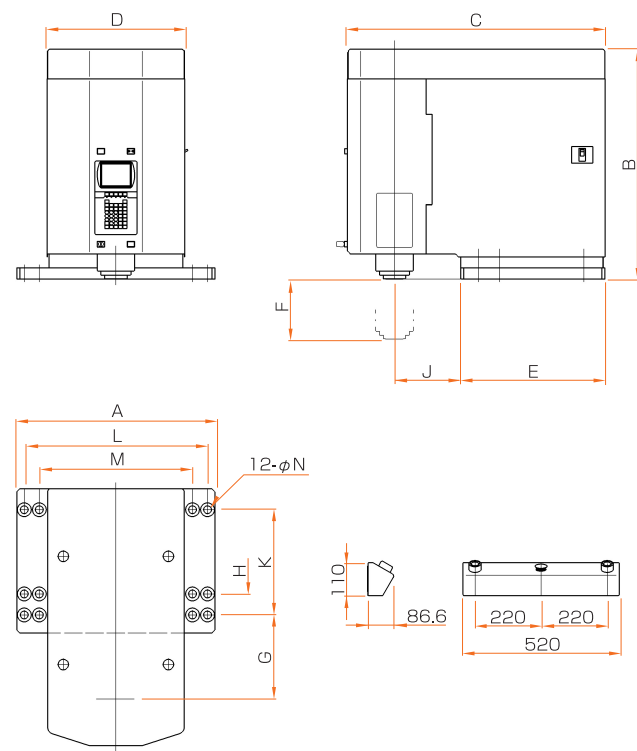
1.5KN·30KN·50KN·80KN

External Dimensions

Stand-Alone type

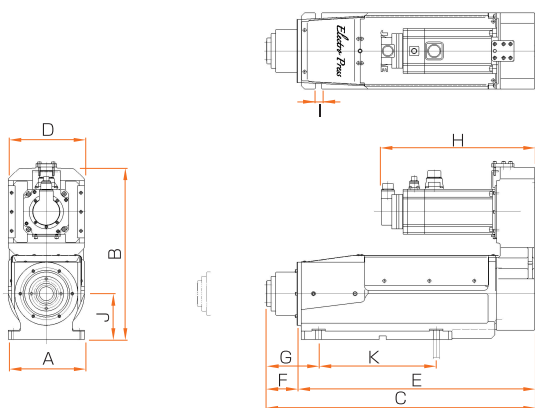


Head type

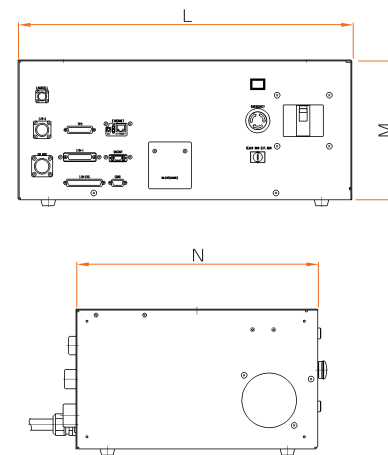


Unit type

Body



Control Box



Stand-Alone	A	B	C	D	E	F	G	H	I	J	K	L	M	N
JP-1504	520	875	585	200	555	275	160	325	115	130	185	230	12	—
JP-3004	560	1,315	985	458	858	350	270	450	200	200	380	510	22	560
JP-5004														
JP-8004	—	—	—	—	—	—	—	—	—	—	—	—	—	—
Head type	A	B	C	D	E	F	G	H	I	J	K	L	M	N
JPH-1504	280	495	505	200	280	30	120	41	—	100	180	240	—	18
JPH-3004	660	765	858	458	480	200	280	70	—	220	350	610	510	26
JPH-5004														
JPH-8004	—	—	—	—	—	—	—	—	—	—	—	—	—	—
Unit type	A	B	C	D	E	F	G	H	I	J	K	L	M	N
JPU-1504	146	260	495	125	445	50	80	(269)	13	75	200	398	198	280
JPU-3004	220	510	775	220	685	90	150	(403)	18	132	340	550	230	398
JPU-5004														
JPU-8004	270	—	—	—	—	—	—	(444)	—	—	—	—	—	—

JP Series 4 Specifications

Model		JP-1504 Series	JP-3004 Series	JP-5004 Series	JP-8004 Series
Pressing Capacity	Maximum	15KN (1.5t)	30KN (3t)	50KN (5t)	80KN (8t)
	Allowable Range	1.5~15KN	3~30KN	5~50KN	8~80KN
	Increments	1N	10N	10N	10N
	Minimum Sensing Capacity *1	0.2 % of maximum pressure capacity			
Ram Stroke	Maximum	100mm	200mm	200mm	200mm
	Allowable Range	0~100mm	0~200mm	0~200mm	0~200mm
	Increments	0,001mm	0,002mm	0,002mm	0,002mm
Ram Speed	Approaching	100mm/sec	300mm/sec	300mm/sec	200mm/sec
	Pressing	0,01~20mm/sec	0,01~35mm/sec	0,01~35mm/sec	0,01~35mm/sec
	Increments	0,01mm/sec	0,01mm/sec	0,01mm/sec	0,01mm/sec
Holding Time	Maximum *2	999sec	999sec	999sec	999sec
	Allowable Range	0~999sec	0~999sec	0~999sec	0~999sec
	Increments	0,1sec	0,1sec	0,1sec	0,1sec
Repeatability *3		±0,005mm	±0,005mm	±0,005mm	±0,005mm
Load Sensing Range		1,5~15KN	3~30KN	5~50KN	8~80KN
Sensor Functions	Const. Speed / Set Stop Position	(1) Load, position, distance control at end pressing (2) Load control for sensor position (3) Sampling load control for sensor position and distance range (Sampling types: peak, top, bottom, valley, peak to peak, differential)			
	Const. Speed / Set Stop Load				
	Const. Speed / Set Dist. Mode				
	Const. Load / Time Presser				
	Const. Load / Set Stop Position				
	Const. Load / Set Dist. Mode				
Multiple-Section Pressing		A combination of the above 3 pressing modes.			
Screen Display	Unit of Measure/Pressure	N ↔ Kgf ↔ Lbf mm ↔ in			
	Display Language	English, Japanese, Spanish, Italian, French, German			
Main Program Supplied		Installed before shipment. To upgrade the program, download from PC to the internal flash ROM using COM1.			
External Interface *4, *5		RS-232C 1ch (9-pin male connector to control the press via PC using optional software)			
External I/O Terminal Number		17 inputs, 16 outputs (Optional increase to 25 inputs, 24 outputs)			
Driving and Control Method		AC servomotor driven by 32-bit CPU			
Power Supply	Three-Phase	180~250V (Domestic standard)	180~250V	180~250V	180~250V
	Single-Phase	180~250V	—	—	—
Power Capacity		850VA	3.1KVA	5.1KVA	5.1KVA
Maximum Jig Weight on the Ram		150N	900N	1,500N	1,500N
Ambient Temperature *6		0~40°C			
Relative Humidity *6		20~90% Non-condensing			
Flotage Dust *6		Nil			
Corrosive Gas *6		Nil			
Dimensions and Weight	Stand-Alone Type	W520 X D580 X H875mm	W560 X D985 X H1,315mm	W560 X D985 X H1,315mm	—
	JP	160Kg	1,050Kg	1,050Kg	—
	Head Type	W280 X D505 X H495mm	W660 X D858 X H765mm	W660 X D858 X H765mm	—
	JPH	100Kg	650Kg	650Kg	—
	Unit Type*7	W146 X D495 X H260mm	W220 X D775 X H510mm	W220 X D775 X H510mm	W270 X D775 X H510mm
	JPU	35Kg	35Kg	160Kg	160Kg
	Control Box	W398 X D280 X H198mm	W550 X D398 X H230mm	W550 X D398 X H230mm	W550 X D398 X H230mm
	JPB	13Kg	40Kg	40Kg	40Kg

*1 Load display accuracy is ±1 % and guaranteed within the above ranges, over 10 % of the maximum pressure capacity. (Load value should be regularly checked and calibrated.)

*2 The holding time becomes shorter as the maximum pressure increases due to motor capacity.

*3 Repeatability was measured at a constant temperature.

*4 Encoder output interface is available as an option. Useful when it is necessary to send position information to an external device in real time.

*5 Choose between side surface fixing (standard) and flange vertical fixing (optional) installation of the unit type.

*6 IP Protection Rating is IP40.

*7 Choose between side surface fixing (standard) or flange vertical fixing (optional) for installation of the unit type.

What is included in the package:

Stand-Alone Type: Machine (with I/O-S connector and I/O connector**), Operation manual (on CD-ROM).

Head Type: Machine (with I/O-S connector and I/O connector**), Switch box (with a 2m-cable), I/O cable (3m), Operation manuals (on CD-ROM).

Unit Type: Machine, Control box (with I/O-S connector, I/O connector** and Switch box short connector), Teaching pendant (with a 2m-cable)
2 Connection cables for connecting the body and control box (3m), Operation manuals (on CD-ROM), Teaching pendant short connector.

Optional Devices: Switch box for the unit type (with a 2m-cable)

PC software for results data collecting and teaching data control runs on Windows® 2000/XP (Windows® is a registered trademark of Microsoft Corporation.)

** The I/O connector does not include cables.

● All patents granted in Japan and the U.S.A. ● Specifications may be changed due to product upgrades without prior notice.

☆ All products are displayed in our showrooms. Please contact us if you are interested in seeing them.

2005.08 (S) 3,000

JANOME

Janome Sewing Machine Co., Ltd.

Industrial Automation Systems Division
1463 Hazama-cho, Hachioji-shi, Tokyo 193-0941 JAPAN
Tel: +81 426 61 6301, Fax: +81 426 61 6302

U R L : <http://www.janome.co.jp/industrial.html>

E-mail : j-industry@gm.janome.co.jp

Business Line: Electro Press, Desktop Robot, SCARA Robot, Vacuum Casting, etc.

Distributor:

